

STWB CE Head Tail Stock Positioner

10 Tonne Set Capacity

STWB100 CE Head Tail Stock positioner comes to maximising efficiency and minimising safety concerns while lifting and rotating heavy workpieces. This is designed to provide maximum efficiency and throughput while minimising safety concerns during heavy workpiece handling. This innovative system ensures a seamless and safe elevation of both the headstock and tailstock, thanks to a hardened screw with a low friction re-circulating ball screw and nut, all electrically synchronised. Control boxes have IP55 rated enclosures and utilize variable frequency AC control electrical systems with full CE certification. In addition, our company has certified by ISO 9001:2015 Quality Management System to ensure all our products establish safe working loads in the weld automation industry.

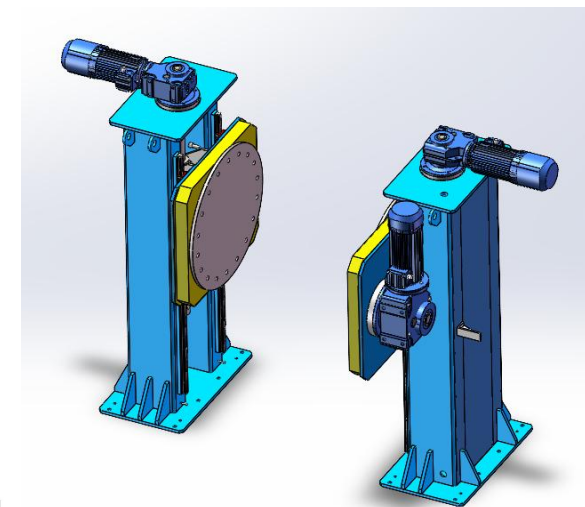
SPECIFICATIONS

Model	SWWB-100	Elevator Speed	1000 mm/min
Load Capacity	10 tons Maximum	Elevator Power	2.2 KW
Table Diameter	1000 mm	Head Basis	Fixed Basis
Rotation Speed	0.05~0.5 rpm	Tail Basis	Manual Traveling Basis
Rotation Power	2*2.2 KW	Voltage	400V 50Hz 3Phase
Center Height	1000~1800 mm	Control system	Remote control 10m cable
Height Adjust	Motorized Screw	Color	RAL 3003 Red+9005 Black

*Specifications are subject to change without notice.

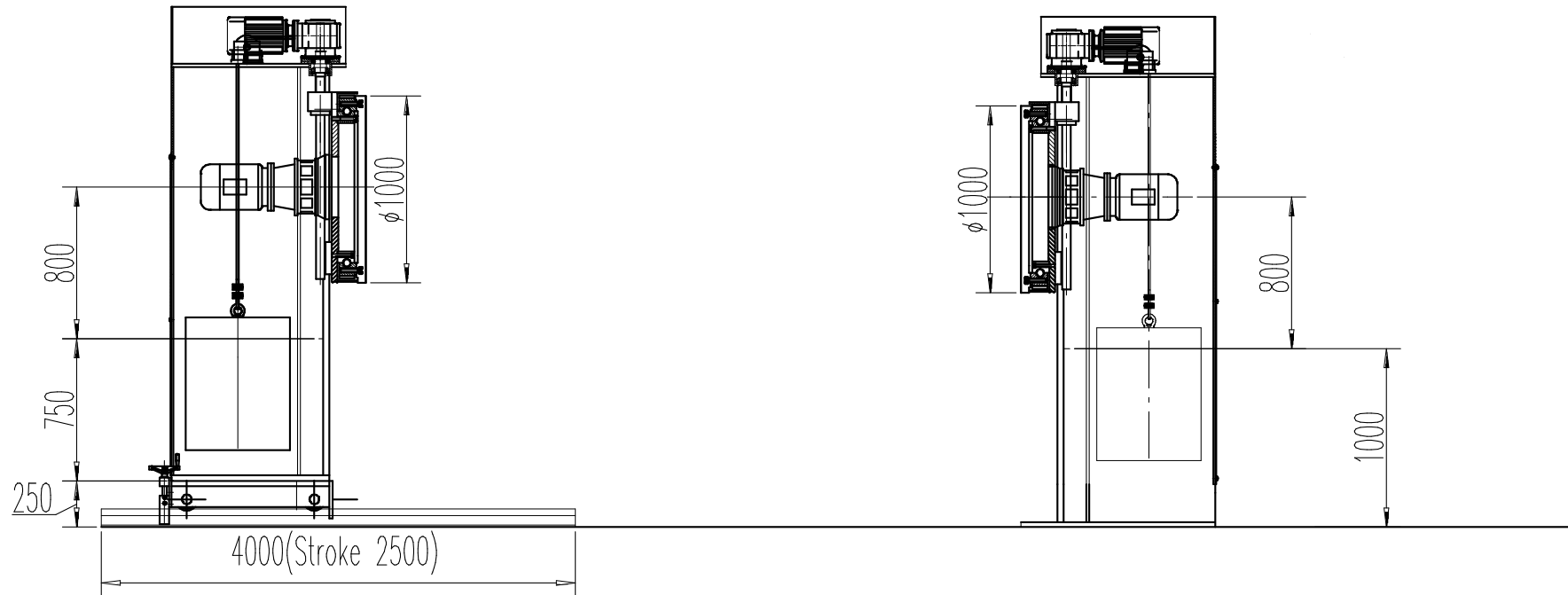
*Two drive units with synchronization rotation & elevator.

HEAD TAIL STOCK POSITIONER



STWB-100 H&T Stock

10 Tonne Set Capacity



- | |
|---|
| 1. Drive unit is fixed basis and idler unit is manual traveling on rails with lock. |
| 2. Both drive & idlers will synchronization rotation & elevator. |
| 3. Table center with gas hole is available free for gas tube through. |
| 4. Special customized available with more discussion. |

