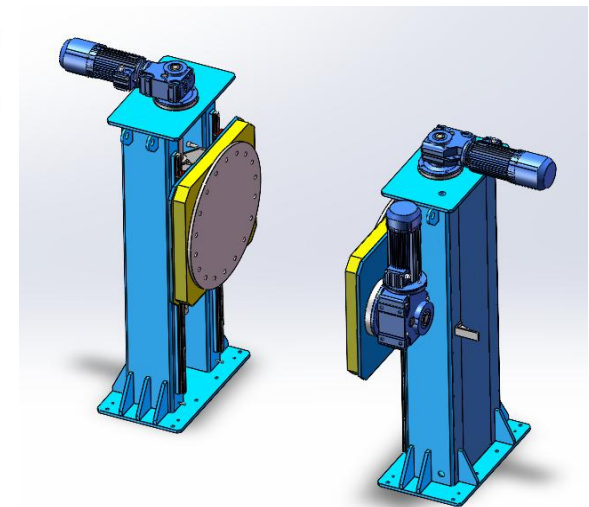


STWB-30 CE Head Tail Stock Positioner 3 Tonne Set Capacity

STWB-30 CE headstock offers 360° rotation for precise weldment positioning. Its robust all-steel construction guarantees long-lasting performance. Both head side & tail side with fixed basis and rotation motor & reducer. Optional for manual traveling wheels & 3-jaw self-centering chucks for secure clamping, it's ideal for high-quality results. Select STWB-30 for precise and durable welding. Control boxes have IP55 rated enclosures and utilize variable frequency AC control electrical systems with full CE certification.

SPECIFICATIONS

| | | | |
|-------------------|------------------|----------------|---------------------------|
| Model | STWB-30 | Rotation Speed | 0.1~1 rpm |
| Turning Capacity | 3 ton maximum | Speed control | Variable Frequency Driver |
| Table Diameter | 1200 mm | Welding Amps | 1000A maximum |
| Rotation Power | 1.1 KW | Voltage | 400V 50Hz 3Phase |
| Center Height | 800 to 1800 mm | Control system | Remote control 8m cable |
| Height Adjustment | Screw Adjustment | Foot Pedal | Supplied Together |
| Lifting Speed | 500mm/min 2.2KW | Color | RAL 3003 Red |



Remote Hand Box

*Specifications are subject to change without notice.

| Functions |
|-------------------|
| Emergency Button |
| Speed Adjust |
| Rotation Forward |
| Height Adjustment |
| Rotation Reverse |

STWB-30 CE Head Tail Stock Positioner

